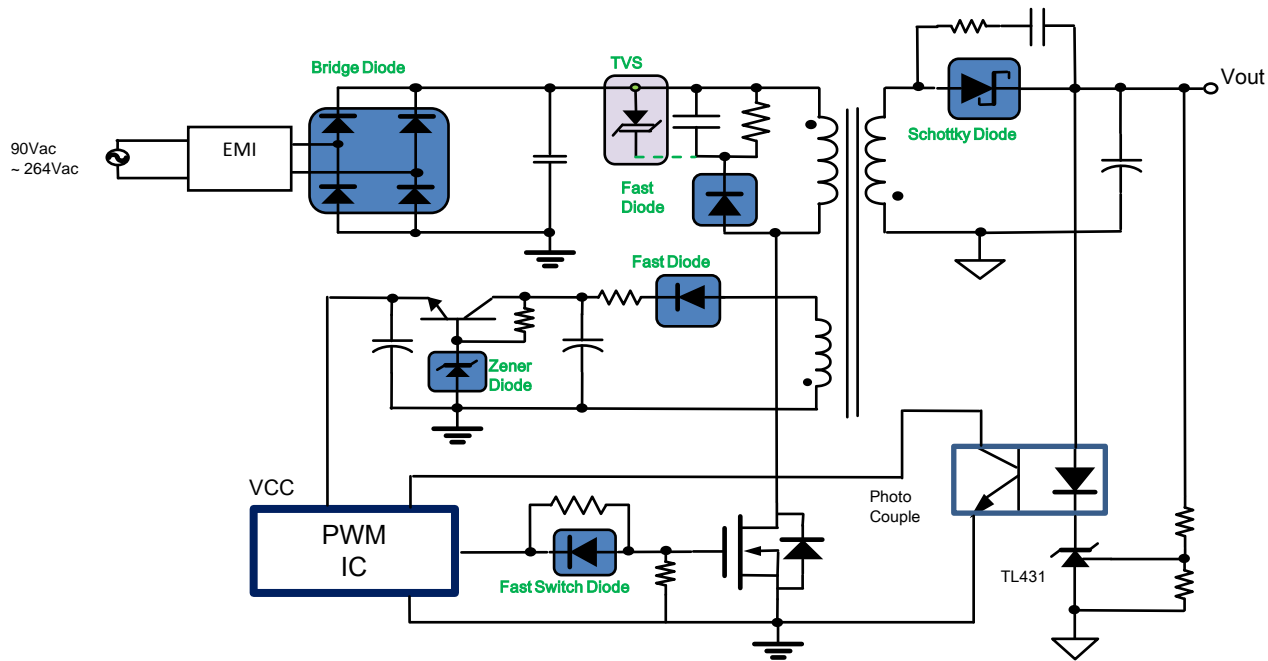


Adapter (适配器) -Flyback(半波整流)

YANGZHOU YANGJIE ELECTRONIC TECHNOLOGY CO.,LTD.



Bridge Diode
KBP206
KBP206A
D3UB60 or 80
D3UB60A or 80A

Fast Diode
GR1M(SMA)
F1MF(SMAF)
F1M(SOD-123FL)
1N4007G

TVS
P4SMA180A
(SMA)
SMAJ200A
(SMA)
Zener Diode
ZMM55C9V1
(LL34)
MMSZ9V1BW
(SOD123)

Fast Switch Diode
1N4148W
(SOD-123)
1N4148WS
(SOD-323)

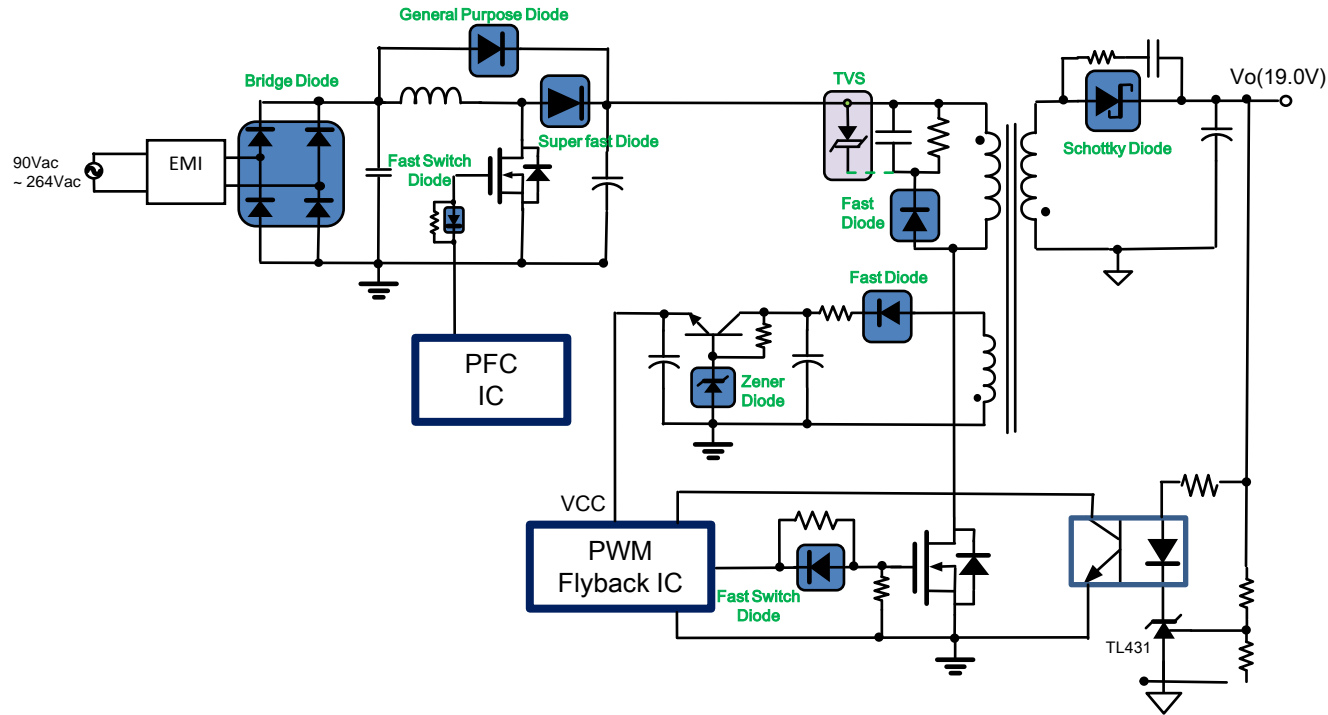
Schottky Diode
MBR10150FCT
MBR15150FCT
MBR20150FCT
If Vin is LV range
MBR10100FCT
MBR15100FCT
MBR20100FCT

Adapter (适配器) -PFC+Flyback(半波整流)



扬杰科技
YANGJIE TECHNOLOGY

YANGZHOU YANGJIE ELECTRONIC TECHNOLOGY CO.,LTD.



Bridge Diode

D6JB60/80
D8JB60/80
KBJ606/608
KBJ1006/1008
GBU606/608
GBU806/808

General purpose

GS3M(SMC)
GS5M(SMC)
1N5408G
(DO-201AD)
Super Fast Diode
HER508G
(DO-201AD)
MUR1060FCT
(ITO-220AB)

Fast Diode

GR1M(SMA)
F1MF(SMAF)
FR107G(DO-41)
Super Fast Diode
HS1M(SMA)
HER108G(DO-41)

Fast Switch Diode

1N4148W
(SOD-123)
1N4148WS
(SOD-323)
Zener Diode
ZMM55C9V1
(LL34)
MMSZ9V1BW
(SOD123)

Schottky Diode

(ITO-220AB)
MBR20100FCT
MBRL20100FCT
(TO-252)
SR20100CS
SRT20L100D