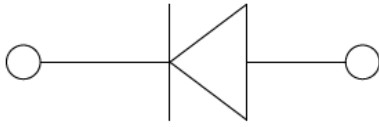


## High Speed Switching Diode



**SOD-123**

### Features

- Epoxy meets UL-94 V-0 flammability rating
- Moisture Sensitivity Level 1
- $V_R$  75V
- $I_{FAV}$  150mA
- Part no. with suffix "Q" means AEC-Q101 qualified

### Applications

- Extreme fast switches

### Mechanical Data

- **Case:** SOD123
- **Terminals:** Tin plated leads, solderable per J-STD-002 and JESD22-B102
- **Polarity:** Cathode line denotes the cathode end
- **Marking:** T4

### ■ Maximum Ratings ( $T_a=25^\circ\text{C}$ Unless otherwise specified)

PARAMETER	SYMBOL	UNIT	CONDITIONS	VALUE
Reverse Voltage	$V_R$	V		75
Repetitive Peak Reverse Voltage	$V_{RRM}$	V		100
Average Forward Current	$I_{FAV}$	mA		150
Repetitive Peak Forward Current	$I_{FRM}$	mA		300
Peak Forward Surge Current	$I_{FSM}$	A	Pulse width=1 us Pulse width=1 s	2 1
Power Dissipation	$P_{tot}$	mW		400
Thermal Resistance Junction to Ambient	$R_{thJA}$	K/W		315
Maximum Junction Temperature	$T_j$	$^\circ\text{C}$		-55 to +150
Storage Temperature Range	$T_{stg}$	$^\circ\text{C}$		-55 to +150



# 1N4148WQ

## ■ Electrical Characteristics (T<sub>a</sub>=25°C Unless otherwise specified)

PARAMETER	SYMBOL	UNIT	CONDITIONS	VALUE
Forward Voltage	V <sub>F</sub>	V	I <sub>F</sub> =1mA	0.715
			I <sub>F</sub> =10mA	0.855
			I <sub>F</sub> =50mA	1.0
			I <sub>F</sub> =150mA	1.25
Reverse Current	I <sub>R</sub>	μA	V <sub>R</sub> =20V	0.025
			V <sub>R</sub> =75V	1.0
Breakdown Voltage	V <sub>R</sub>	V	I <sub>R</sub> =10μA	75
Diode Capacitance	C <sub>D</sub>	pF	V <sub>R</sub> =V <sub>F</sub> =0V, f =1MHz	4
Reverse Recovery Time	t <sub>rr</sub>	ns	I <sub>F</sub> =10mA, I <sub>rr</sub> =0.1I <sub>R</sub> , R <sub>L</sub> =100Ω	4

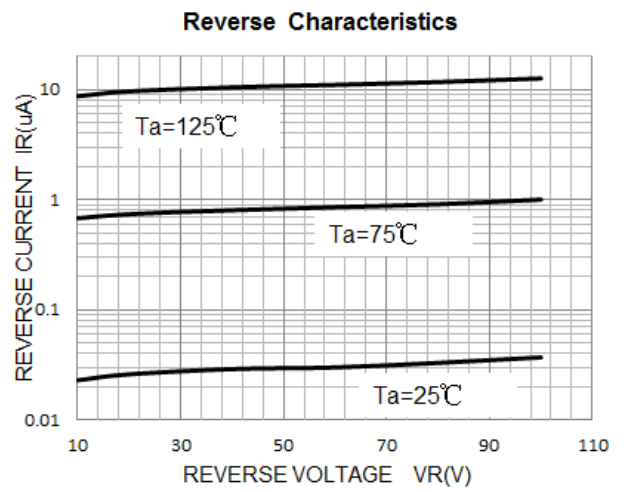
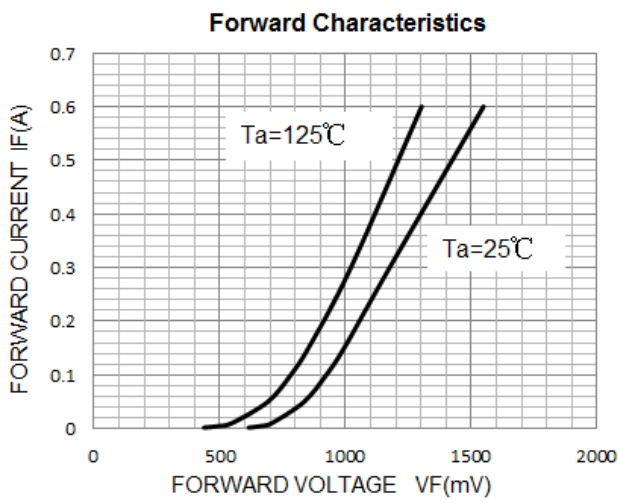
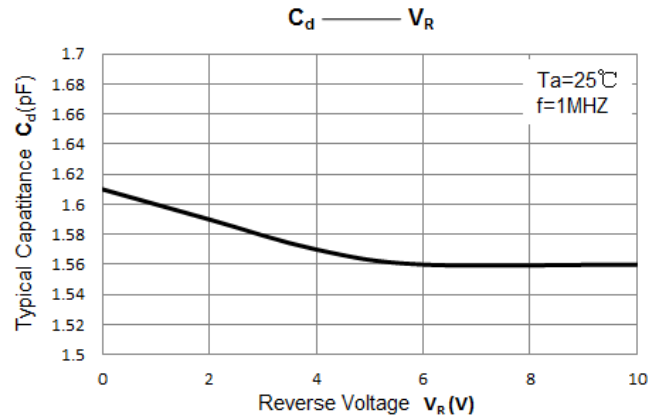
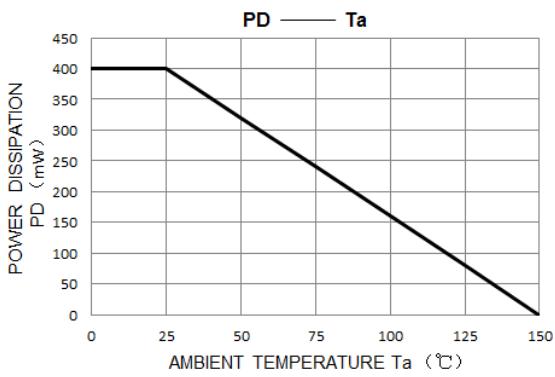
## ■ Ordering Information (Example)

PREFERRED P/N	PACKING CODE	UNIT WEIGHT(g)	MINIMUM PACKAGE(pcs)	INNER BOX QUANTITY(pcs)	OUTER CARTON QUANTITY(pcs)	DELIVERY MODE
1N4148WQ	F2	Approximate 0.010	3000	30000	120000	7" reel



# 1N4148WQ

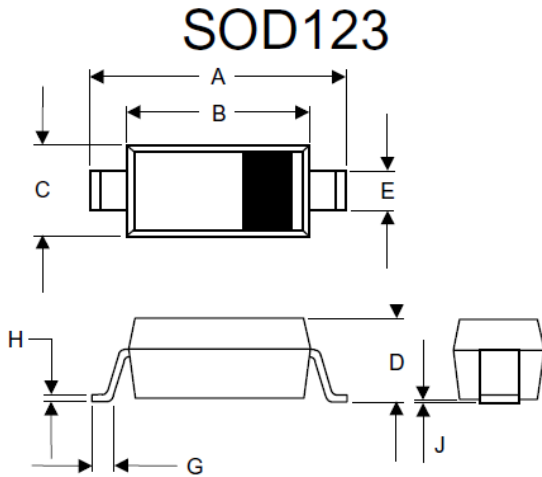
## ■ Characteristics (Typical)





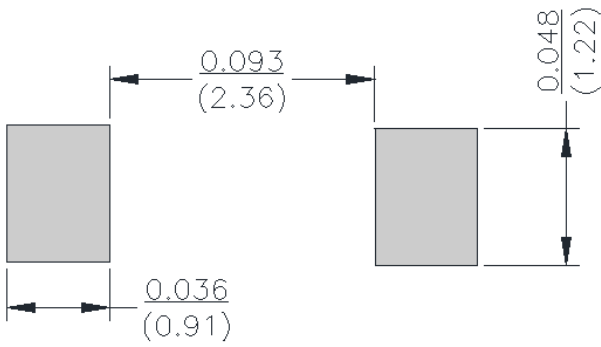
# 1N4148WQ

## ■ Outline Dimensions



DIMENSIONS					
DIM	INCHES		MM		NOTE
	MIN	MAX	MIN	MAX	
A	.140	.152	3.55	3.85	
B	.100	.112	2.55	2.85	
C	.055	.071	1.40	1.80	
D	-----	.053	-----	1.35	
E	.012	.031	0.30	.78	
G	.006	-----	0.15	-----	
H	-----	.01	-----	.25	
J	-----	.006	-----	.15	

## ■ Soldering Footprint



Unit:  $\frac{\text{inch}}{\text{mm}}$



# 1N4148WQ

---

## Disclaimer

The information presented in this document is for reference only. Yangzhou Yangjie Electronic Technology Co., Ltd. reserves the right to make changes without notice for the specification of the products displayed herein to improve reliability, function or design or otherwise.

The product listed herein is designed to be used with ordinary electronic equipment or devices, and not designed to be used with equipment or devices which require high level of reliability and the malfunction of which would directly endanger human life (such as medical instruments, transportation equipment, aerospace machinery, nuclear-reactor controllers, fuel controllers and other safety devices), Yangjie or anyone on its behalf, assumes no responsibility or liability for any damages resulting from such improper use of sale.

This publication supersedes & replaces all information previously supplied. For additional information, please visit our website [http:// www.21yangjie.com](http://www.21yangjie.com) , or consult your nearest Yangjie's sales office for further assistance.